

# Magnetic Level Indicator MAGNA-VOX Type 75/131

The magnetic level indicator MAGNA-VOX 75/131 is a pressure resistant plastic tube system with magnetic level transmission to a magnetic indication rail. The wetted parts of the tube system are made of plastics. These materials are of very high chemical resistance. Therefore the type 75/131 is suitable for nearly all aggressive chemical liquids.

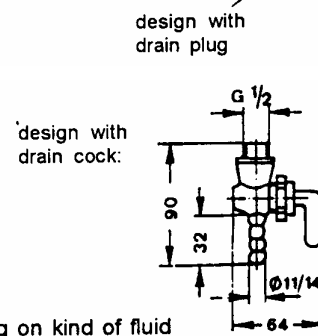
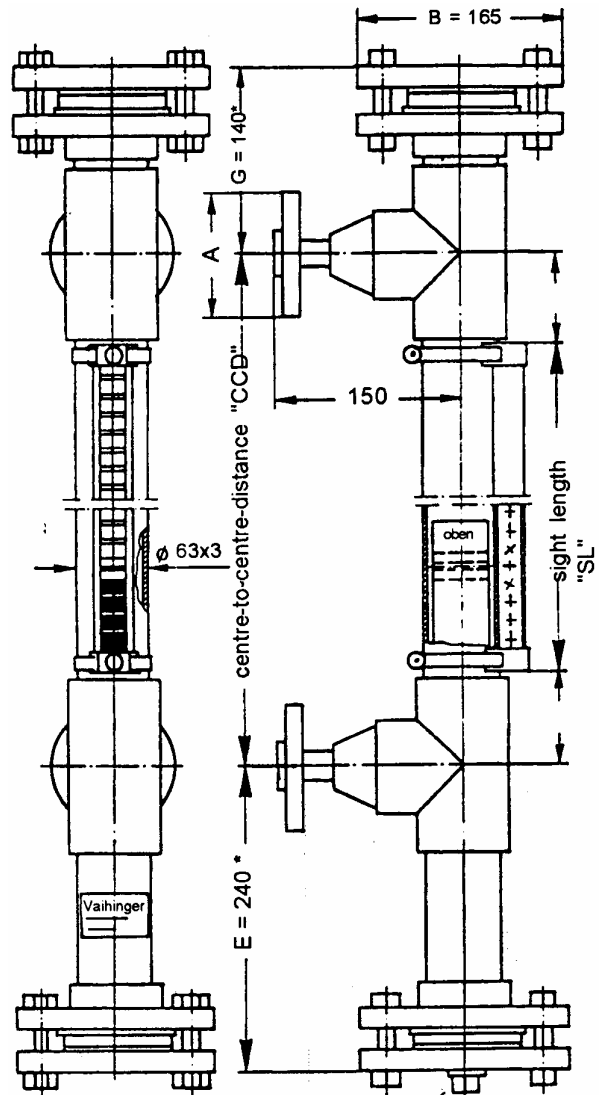
## Design

- tube system made of plastics mat. PVC, PP, PE, PVDF
- magnetic float free rotatable  
min. specific gravity 885 kg/m<sup>3</sup>
- indication rail made of aluminium alloy  
AlMgSi 0,5 with glass cover plate

**Additional equipment** (see separate data sheet)  
 magnetic switch type 75/90  
 magnetic switch type 75/51  
 (inductive approx. switch)  
 magnetic switch type 75/80 (small signal only)  
 sensor type 75/F for remote indication  
 scale with graduation acc. to customer's specification  
 drain valve  
 shut-off valves, shut-off cocks

tube Ø	material	des. pressure (bar)	des. temp. (°C)
63 x 3,6	PE	6 / 3,2 / 2	20 / 30 / 40
63 x 3,6	PP	6 / 3,9 / 3 1,5 / 0,6	20 / 40 / 60 80 / 100
63 x 3,0	PVC	1 / 4 / 10	60 / 40 / 20
63 x 3,0	PVDF	13,6 / 11,1 8,2 / 6,3 / 1,8	20 / 40 60 / 80 / 120

\* depending on fluid spec. gravity



\* depending on kind of fluid

## Order data

flange size "A", centre-to-centre distance "CCD", kind of fluid, spec. gravity of fluid, operating pressure, operating temperature, arrangement indication rail (A-B-C), material design.

