

Reflection Water Level Gauge, PN 40 NIVOFLEX Type 22/2000 VS

page 1 of 2

The liquid water level gauge type NIVOFLEX 22/2000 VS is an universal reflection gauge for heating and refrigeration as well as for storage vessels. Reflection water level gauges are equipped with sight glasses with grooves for a clear contrast in the display.

Design

The water level gauge type NIVOFLEX 22/2000 VS is designed in accordance to the relevant German rules (TRD, AD, DIN) and ITI approved. With the quick closing shut-off valves (3/4 turning) the indicator meets the rules of the Czech Republic, too (Certificate No. 3639/09.02/98/15.17).

Technical data

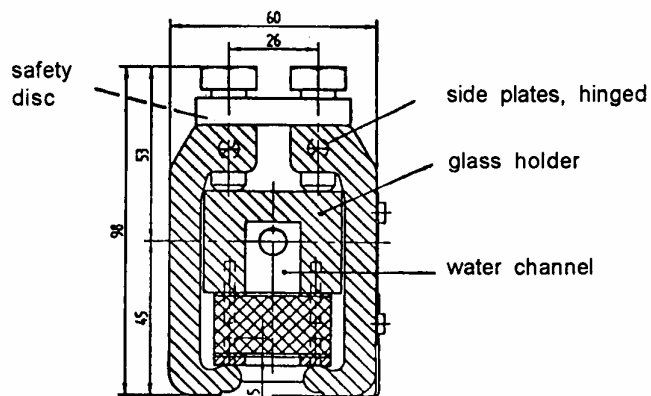
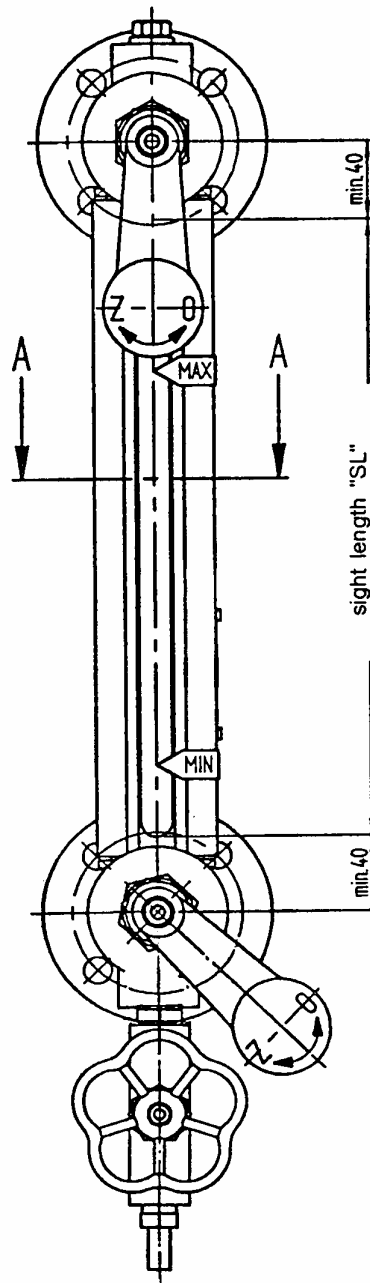
- glass holder in front with reflex sight glasses
- glass size 2 up to 9 according to DIN 7081
- glassholder acc. necessary centre-to-centre distance with one or more sight lengths with interruptions between the different visual indications (see on reverse)
- integrated valves below and above, internal valve diameter 8 mm
- process connection: flange DN 20-25/PN 40, form C
- drain valve type 17/500
- vent plug G 3/8 x 12 mm, DIN 910

Material

- glass holder made of steel mat. 1.0570
- connection flanges made of steel mat. 1.0460
- housing drain valve mat. 1.0570
- shut off parts made of stainless steel mat. 1.4401, 1.4104 + 1.4305
- reflection glass made of borosilicate, gaskets free of asbestos

Additional equipment

- automatically closing ball for shut off valves (safety device) (min. 1 bar overpressure necessary for function)
- mica protection outside for protection in outdoor installations
- NW-mark for lowest water level acc. TRD



section A - A

Reflection Water Level Gauge, PN 40 NIVOFLEX Type 22/2000 VS

Table glass size / range of centre-to-centre-distance

glass size*	2	3	4	5	6	7	8	9
glass length (mm)	140	165	190	220	250	280	320	340
sight length „SL“ per segment (mm)	120	145	170	200	230	260	300	320
min. centre-to-centre-distance (mm)								
1 x glass size	200	225	250	280	310	340	380	400
2 x glass size				530	590	650	730	770
3 x glass size				780	870	960	1080	1140
4 x glass size				1030	1150	1270	1430	1510
5 x glass size				1280	1430	1580	1780	1880

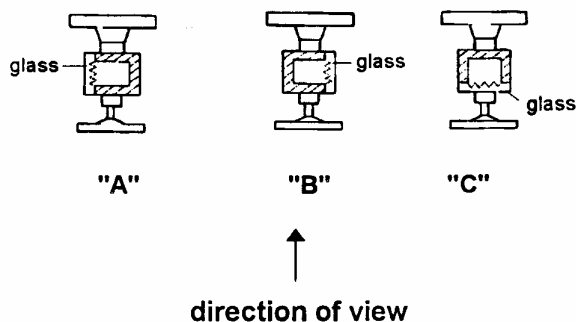
* reflection glass DIN 7081, width = 34 mm, min. thickness = 17 mm

sight length = min. centre-to-centre-distance - 80 mm
interruption between 2 sight glasses: min. 50 mm

conditions:

nominal pressure PN 40	
working temperature	working pressure
-10 up to 120 °C	40 bar
-10 up to 200 °C	32 bar
-10 up to 243 °C	28 bar
max. limit for reflection glass DIN 7081 = 243 °C	

arrangement:



order data

centre-to-centre-distance, flange size, arrangement, size, operating pressure, operating temperature, fluid, additional equipment