

## Magnetically operated SPDT switch

Bistable change-over switch with patented switch element  
Switch contacts magnetically operated

Productgroup **740**

Type **0064**

Sheet: 1/1

Revision: 8

Date:

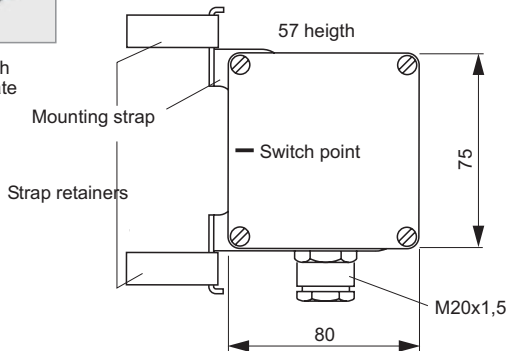
03/05



Type  
740.0064



Execution with  
heat guard plate



Measures in mm

### Range of application

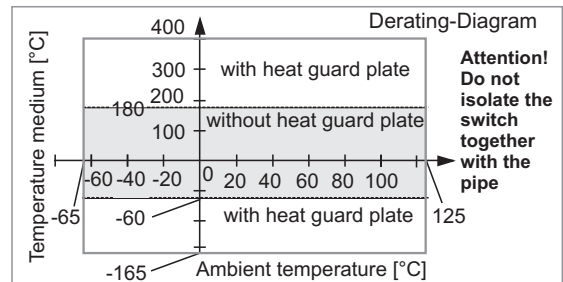
This SPDT switch is for signalling level limits of magnetically operated liquid level gauges. It works with contact types which need not be protected by special means and so may be operated with higher loads. Ex-Zone 2 in general and Ex Zone 1 with intrinsically safe circuits is allowed, because only passive elements are built into a swaged-tight housing.

### General Data

Hysteresis: 18 mm (with Type 710.100)  
Material housing: Aluminium  
Fixing device for magnetic gauge type (accessory):  
710.100.0/104/098/2XX.0 strap retainers Ø40-60 mm  
710.102/103/106...140 strap retainers Ø60-80 mm

### Design Data

Switch cycles:  $>10^5$



### Function

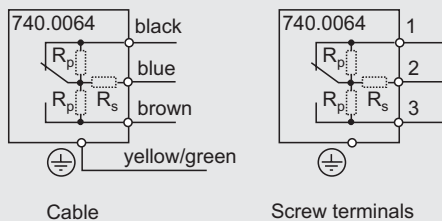
MAX (Float oabove): black (1) - blue (2) closed  
MIN (Float below): brown (3) - blue (2) closed

### Electrical Data

Switch over bistable: SPDT  
Switch voltage: 200 V =/250 V~  
Switch current: 2 A=/  
max. power limit: 40 W/100 VA  
Contact material: AgCd / Au5µ  
Transit time: < 50 ms  
Connection: 3 m or 5 m cable, 4 x 0,75 mm<sup>2</sup> or screw terminals 3 x 2,5 mm<sup>2</sup>  
Cable gland: M20x1,5  
Ingress protection acc. to EN 60529: IP67  
Optional resistors R<sub>p</sub>, R<sub>s</sub> for wire interruption and short circuit control or as Namur circuit.

Subject to alterations

### Connection Diagram



### Ordering no.

740.0064 - XXXXX

Contact material	Normal	C	I	inverse	Magnetic field direction
	Gold	G	N	normal	
Housing material	Aluminum	A	K	screw terminals	Electrical connection
			3	3 m cable	
			5	5 m cable	
Resistor circuit	without	O	H	Harting plug	Temp. in the pipe
	Namur 1k/10k	N	0	up to +250 °C	
	wire interr. and short circuit	D	H	250...+450 °C	

### PHÖNIX

Messtechnik GmbH  
Salzschlierfer Straße 13  
D-60386 Frankfurt/M.  
Tel. +49/69/41 67 42 -20  
Fax +49/69/41 67 42 -29  
sales@phoenix-mt.com  
www.phoenix-mt.com

# PHÖNIX