

www.phoenix-mt.com  
PHÖNiX Messtechnik GmbH

# PHÖNiX

## Sight glass level gauge CL600 bis 1500

"Cold" High pressure  
Reflex, Transparent  
Connection side-side fixed  
Connection gauge valve to gauge chamber: union  
Handwheel

Product group **700**

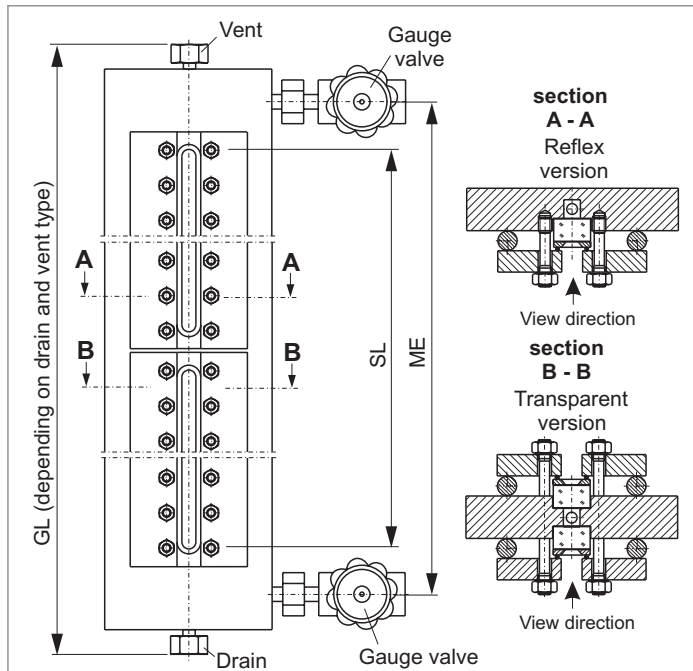
Type **26**

Sheet: 37

Revision: 0

Date:

02/05



### Field of Application

Direct reading liquid level indicator for general applications up to CL1500 (depends on glass type). Increased safety with ball check valves.

### General Data

Visible length SL: ≤ME  
Body: 140x40 (Reflex), 200x40 (Transparent)  
Connection gauge valve - body: union  
Gauge valve types: see data sheet 760.50/51/52  
Actuation: hand wheel  
Material glass plates acc. to DIN 7081: Borosilicate  
Material media wetted parts: CS, SS  
Depending on delivery situation material can vary.  
Types with special materials e. g. Hastelloy, Monel etc. are available.  
Weight  
- basic weight (glass type 4-11)  
  reflex / transparent: 21,0-27,0/24,0-32 kg  
- per segment (glass type 4-11)  
  reflex / transparent: 7,9-15,6/10,4-19,8 kg  
Depending on execution weight can vary.

### Design Data

Design pressure/-temperature see derating  
140x40: see data sheet BG00RE  
200x40: see data sheet BG00RF

### Further Data

Connection gauge valve - body: see 700.VAR  
Process connection: see 700.VAR  
Vent: see 700.VAR  
Drain: see 700.VAR

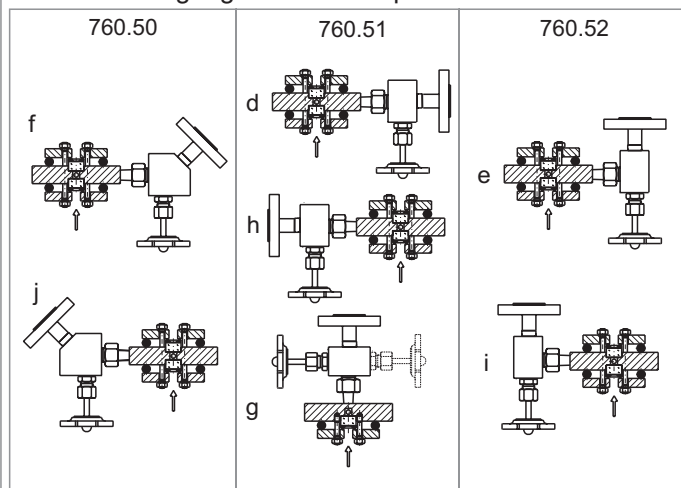
### Accessories

Glass protection etc.: see accessories  
Frosts protection: see accessories  
Illumination: see accessories  
Scale: see accessories  
Heating: see accessories

CS (= carbon steel) and SS (= stainless steel type 316SS) are materials suitable for Pressure Vessels according to EN or ASME.

Subject to alterations

### Orientation of gauge valve and operation



### Ordering no.

7 0 0 2 6 X X X X X X X X - X X - X X X X X X X X X X - X X X X X		see 700.VAR	ME [mm]	
bridging	without	0	X X nos of segments	
	with	1		
glass window	Reflex (DIN 7081)	1	E   140x40 (Reflex) F   200x40 (Transparent)	
	Transparent (DIN 7081)	2		
gauge valve	760.50	5 0	X   siehe Datenblatt 760.50/51/52	
	760.51	5 1		
	760.52	5 2		
			results from ME	glass type
			X spec. glass types	
			DIN-bolts, -nuts	DIN/ASME
			A ANSI-bolts, -nuts	
				gauge body
				orientation
				gauge valve

### PHÖNiX

Messtechnik GmbH  
Salzschlierer Straße 13  
D-60386 Frankfurt/M.  
Tel. +49/69/41 67 42 -20  
Fax +49/69/41 67 42 -29  
sales@phoenix-mt.com  
www.phoenix-mt.com

# PHÖNiX