

Sight Flow Indicators (straight line) with Flap

with *pipe - thread* connection **BSP (G)** or **NPT**

Cast Iron GG 25 (EN-GJL-250) max. 16 bar
 Cast Steel GS-C 25 (1.0619 / GP240GH)
 Stainless Steel WN 1.4408



Bauform 881-K

Application:

The flow indicators are used for optical control of fluids and gases, for horizontal and vertical pipelines.

Installation:

Flow direction horizontal or vertical from bottom to top

Operating conditions:

Working pressure: max. 16 / 25 / 40 bar
 Working temperature: max. 150°C or 280°C

Certificate: (Option)

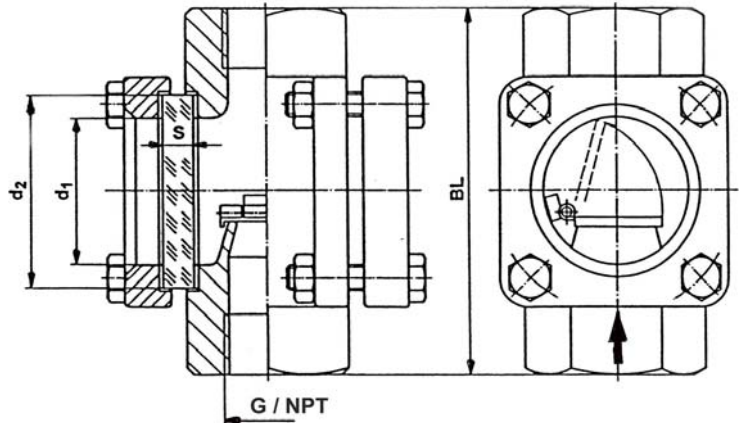
Acc. to EN 10204-2.2 or 3.1

Options:

- Spinner
- Sight glass light - fittings

Materials:

| | | | |
|---------|---|----------------|-----------------|
| Body | GG 25 | GS-C 25 | 1.4408 |
| Covers | GG 25 | GS-C 25 | 1.4408 / 1.4301 |
| Screws | 4.6 / 5.6 gal. | | A4-70 |
| Glasses | Borosilicate glass DIN 7080 (280°C) Soda lime glass DIN 8902 (150°C) | | |
| Gaskets | Graphite, (or other materials) | | |
| Flap | 1.4571 | | |



Ordering example:

Sight Flow Indicators with flap
 Bauform 881-K, Flap 1.4571
 GS-C 25, Borosilicate glass DIN 7080-16 bar
 G 3/4"



Dimensions:

| BSP (G) or NPT | BL | d ₁ | Glass plate | | | |
|----------------------|-----------------|----------------|----------------|----|----|--------|
| | | | d ₂ | S | | |
| | | | | 16 | 25 | 40 bar |
| 1/4" 3/8" 1/2" | 100 | 32 | 45 | 10 | 10 | 10 |
| 3/4" 1" | 120 | 48 | 63 | 10 | 12 | 15 |
| 1 1/4" | 160 | 65 | 80 | 12 | 15 | 20 |
| 1 1/2" | 160 | 65 | 80 | 12 | 15 | 20 |
| 2" | 230 180 (GG) | 80 | 100 | 15 | 20 | 25 |

NPT-thread only in GS-C 25 or 1.4408

Modification reserved



AVEMAR cz s.r.o., Lihovarská 10, 716 03 Ostrava - Radvanice
 Tel.: +420 596 232 996, 596 232 997, Fax: +420 596 232 998
 E-mail: avemar@avemar.cz, web: www.avemar.cz