

Sight glass - Tubular type

with flanged connection acc. to ANSI 150 lbs



Bauform 20-A

Application:

Sightglass - Tubular type with flanges on both sides, to use in either horizontal or vertical pipe lines for optical control of fluids and gasses.

Operating conditions:

Connection: ANSI-Flanges 150 lbs-RF
 Pressure: up to DN 100 - 6 bar max
 from DN 125 - 4 bar max
 Temperature: 200°C max.

Materials:

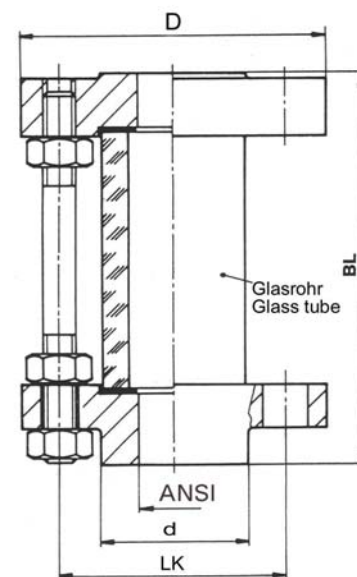
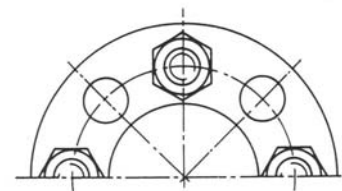
Flanges: WN 1.4571 | Steel H II
 Screws: A4 - 70 | Steel
 Glass tube: Borosilicate glass (DURAN)
 Gaskets: Viton or PTFE (or other materials)

Spezial designs:

Protection jacket of acrylic glass
 Extra length

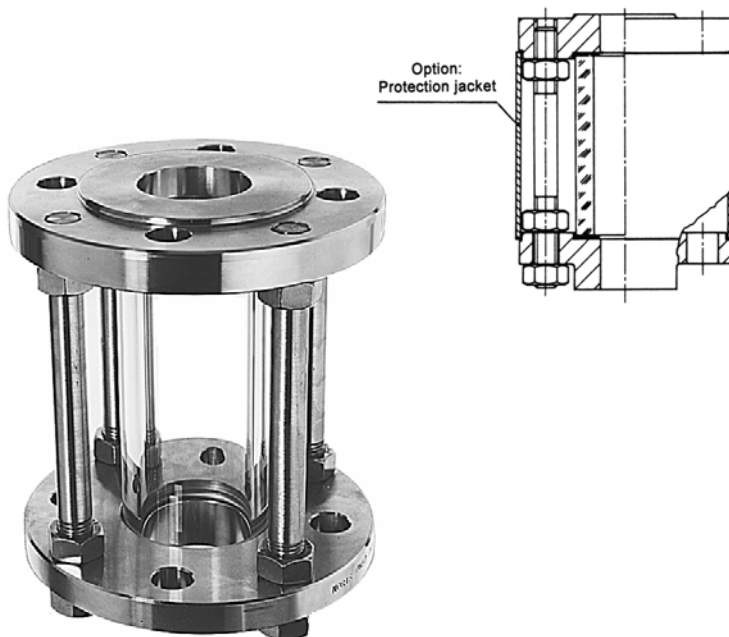
Example for an order:

Sight Glass - Tubular Type Bauform 20
 WN 1.4571; 6 bar max.
 ANSI 2", 150 lbs



Mounting instructions:

Sight glass tubular type must be mounted without tension by tube, vibrations and pressure pushes.



Dimensions:

ANSI	D	d	BL	Screws	LK
1/2"	89	35	200	4	60,3
3/4"	98	43	200	4	69,8
1"	108	51	200	4	79,4
1 1/4"	118	64	200	4	88,9
1 1/2"	127	73	200	4	98,4
2"	152	92	200	4	120,6
2 1/2"	178	105	200	4	139,7
3"	191	127	200	4	152,4
4"	228	157	200	8	190,6
5"	254	186	200	8	215,9
6"	279	216	200	8	241,3
8"	343	270	200	8	298,4

Modifications reserved



AVEMAR cz s.r.o., Lihovarská 10, 716 03 Ostrava - Radvanice
 Tel.: +420 596 232 996, 596 232 997, Fax: +420 596 232 998
 E-mail: avemar@avemar.cz, web: www.avemar.cz