

Strainer, Y - type PN 16/40

with flanged connection acc. to **DIN**



Bauform 140

Application:

Preferably installed in front of measuring instruments, control valves, pumps and sensitive systems.

Operating conditions:

Nominal pressure : max. 16 / 40 bar

Nominal Temp max. 300°C

Standard Materials:

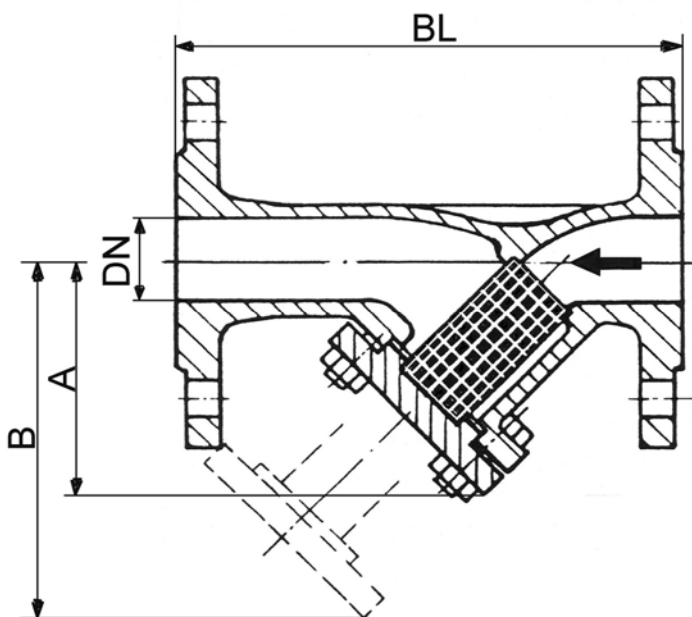
Body :	WN 1.4408	GS-C 25
Covers :	WN 1.4408/4571	GS-C 25 / H II
Screws:	A4 - 70	5.6 gal.
Screen:	WN 1.4571 / 1.401	
Gasket :	Graphit (or other materials)	

Options:

Double screen in WN 1.4571
with flanged connection acc to ANSI
Drain plug
Heating jacket

Ordering example:

Strainer, Y-type Bauform 140
stainless steel
DN 50, PN 16



Dimension:

DN	BL	A	B	Mesh-size
15	130	75	115	0,6
20	150	80	125	
25	160	90	135	0,8
32	180	90	135	
40	200	110	170	
50	230	120	190	
65	290	140	220	1,2
80	310	165	265	
100	350	220	340	
125	400	260	350	1,5
150	480	300	510	
200	600	360	580	
250	730	495	720	

Modifications reserved



AVEMAR cz s.r.o., Lihovarská 10, 716 03 Ostrava - Radvanice
Tel.: +420 596 232 996, 596 232 997, Fax: +420 596 232 998
E-mail: avemar@avemar.cz, web: www.avemar.cz