

Sight Glass Fittings, circular
similar to **DIN 28121**
to be **mounted** to existing **ANSI** flanges



Bauform 121-A

Application:

For observation and lightning the inside of closed containers (boilers, tanks, silos a.s.o). Fitting will be delivered totally mounted and must only be screwed on an existent flange.

ANSI - Design

Operating conditions:

Working pressure: 10 bar
Working temperature: 200°C

Certificate: (Option)

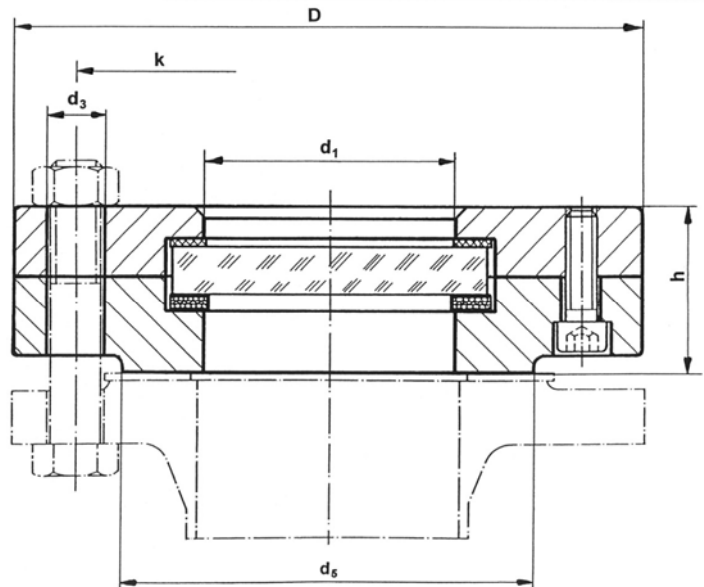
Acc. to EN 10204-2.2 or
Acc. to EN 10204-3.1

Materials:

Base and
Cover flanges: Steel / Stainless Steel 1.4571
or different materials

Sight glass: Borosilicate glass
acc. to DIN 7080 (up to 200°C)

Gasket: PTFE enveloped gasket (up to 200°C)



Options:

- Spezial design for more than 200°C
- Higher pressures
- 300 lbs
- Safety double windows
- Sight glass light fittings
- Base-flange lined

Dimensions acc. to 150 lbs

ANSI	bar	D	d ₁	d ₅	k	h	d ₃
1 ½"	10	127,0	48	73,0	88,9	36	4 x Ø 16
2"	10	152,4	65	92,1	120,6	38	4 x Ø 19
3"	10	190,5	80	127,0	152,4	46	4 x Ø 19
4"	10	228,6	100	157,2	190,5	46	8 x Ø 19
5"	10	254,0	125	185,7	215,9	54	8 x Ø 22,2
6"	10	279,4	125	215,9	241,3	54	8 x Ø 22,2
8"	10	342,9	150	269,7	298,5	54	8 x Ø 22,2



Modifications reserved