

# Sight Glass Fittings, circular PN 6

to be **welded** directly to tank



Bauform 119

## Application:

For observation and lightning the inside of closed containers ( boilers, tanks, silos a.s.o )

Following DIN 28120

## Delivery includes:

Complete fitting, consisting of base and cover flange, glass plate, sealings and screws

For low pressure  
up to 6 bar

## Operating conditions:

Working pressure: 6 bar  
Working temperature: 150°C or 280°C

## Materials:

Base flange: RSt 37-2, H II, WN 1.4541, WN 1.4571

Cover flange: RSt 37-2, H II, WN 1.4541, WN 1.4571

Glassplate: Borosilicate glass acc. to DIN 7080  
Soda lime glass acc. to DIN 8902

Gasket: asbestos free or other materials

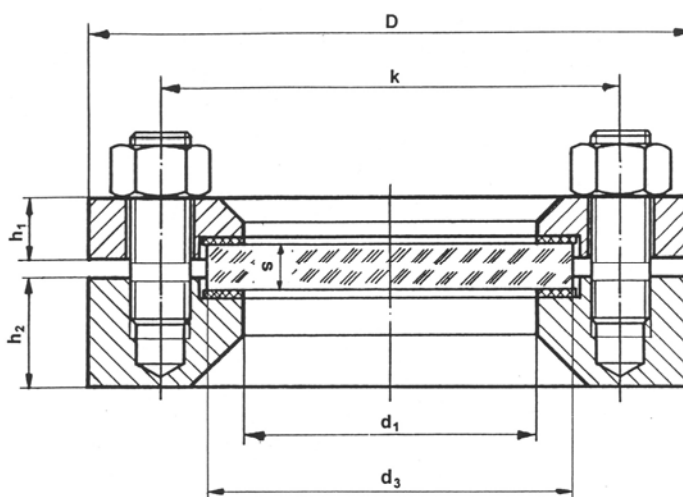
Screws: 5. 6 galv., A2-70, A4-70

## Options:

- Sight glass wiper Bauform 190 + 195
- Spray washer Bauform 198
- Safety double windows Bauform 126
- Sight glass light fittings
- With O-ring-sealing (for vacuum)
- Special design acc. to customer

## Certificate: ( Option )

Acc. to EN 10204-2.2 or  
Acc. to EN 10204-3.1



## Dimensions:

DN	d <sub>1</sub>	d <sub>3</sub>	s	D	k	h <sub>1</sub>	h <sub>2</sub>	Screws
50	80	100	15	165	125	16	30	4 x M 16
80	100	125	15	200	160	18	30	4 x M 16
100	125	150	15	220	180	18	30	8 x M 16
125	150	175	20	250	210	18	30	8 x M 16
150	175	200	20	285	240	18	30	8 x M 20
200	225	250	25	340	295	20	30	8 x M 20

Modifications reserved



AVEMAR cz s.r.o., Lihovarská 10, 716 03 Ostrava - Radvanice  
Tel.: +420 596 232 996, 596 232 997, Fax: +420 596 232 998  
E-mail: avemar@avemar.cz, web: www.avemar.cz