

Sight Flow Indicators (straight line)

with *DIN - flanges*



Bauform 112

Application:

Sight Flow Indicators are used for optical control and the observation of filling and current in pipelines. Without rest fluid in the body in horizontal installation.

Operating conditions:

Working pressure : 16 bar

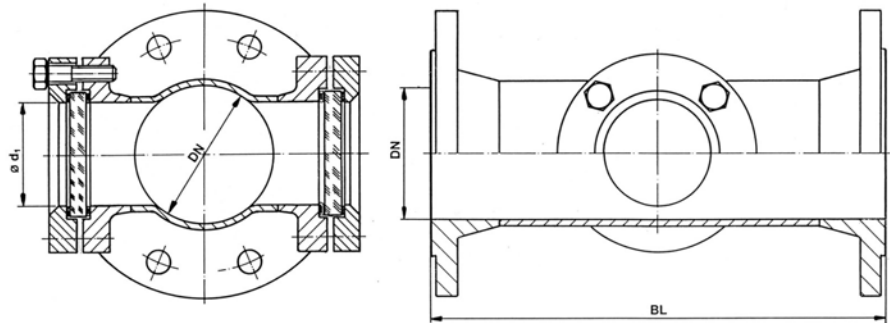
Standard Materials:

Body : WN 1.4571 or 1.4404
 Covers : Stainless steel
 Screws : A4-70
 Sight glasses : Borosilicate glass acc. to DIN 7080; (max. 280°C)
 Soda lime glass acc. to DIN 8902; (max 150°C)
 Gasket : Graphite; (other materials are available on request)

**Without rest fluid
in the body**

Options:

Flanges in DIN or ANSI
 Light-fitting
 Body in steel



Ordering example:

Sight flow indicators Bauform 112
 Body: WN 1.4571; Borosilicate glass
 DN 100 PN 16



Dimensions:

DN	BL	ø d ₁	Glass Ød x S
25	160	23	45 x 10
40	200	39	63 x 10
50	230	44	63 x 10
80	310	64	80 x 12
100	350	80	100 x 15
125	400	80	100 x 15
150	480	100	125 x 20
200	600	125	150 x 25
250	730	150	175 x 25
300	850	150	175 x 25
350	980	150	175 x 25

Modifications reserved



AVEMAR cz s.r.o., Lihovarská 10, 716 03 Ostrava - Radvanice
 Tel.: +420 596 232 996, 596 232 997, Fax: +420 596 232 998
 E-mail: avemar@avemar.cz, web: www.avemar.cz