

Multiple probe type MS015-A

with limiting probe

Application and function

The multiple probe type MS 015-A in connection with the controller type SMLC1 and DLR1/DHR1 is a self-monitoring water level limiter of special construction as per prEN 12953-9, 97/92/EEC, DIN EN 50156-1 and "Wasserstand 100" with additional 2-point control and is used as LWL limiter and level controller in steam boilers according to TRD and prEN 14222:2002.

Type	Function	Component mark	EG-component test
SMLC1	Low level limiter, self checking, self-monitoring	TÜV ID : 0000006173	01 202 931-B 04-0010
DLR1/ DHR1	2-point water level controller	TÜV WR 06-383	-----

Technical basic equipment

Mechanical connection	G 1 (SW50)	
Electrical connection	Pilot wire BiHFP-0; 4 x 0,75 mm ² , 3 m length, cable ends left unprepared <ul style="list-style-type: none"> • Braide made of Cu, galvanized • Insulation and mantle made of silicon • Reinforcement / net work made of galvanized steel wire to screen and protect 	
Material	Probe housing	stainless steel
	Probe rod	stainless steel
	Insulator	PTFE
	Sealing ring	Soft iron
	Connection housing	stainless steel

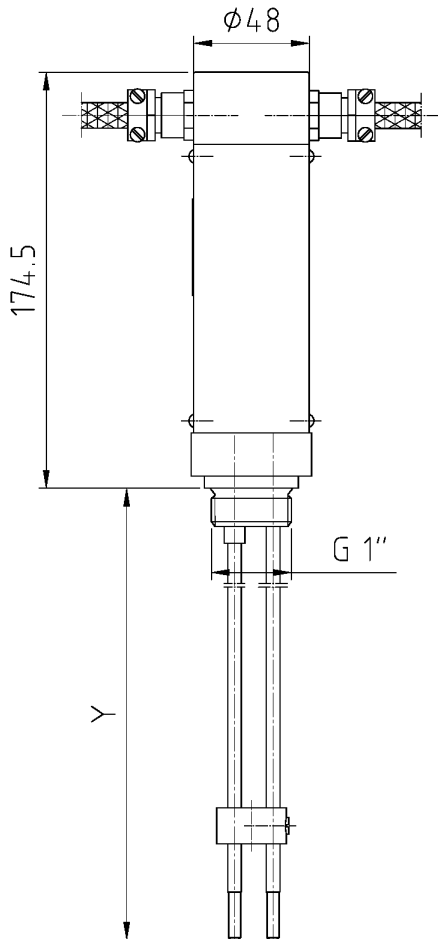
Technical data

Allowable pressure	PS	[bar]	32
Allowable temperature	TS	[° C]	239
Dimension Y [mm]	60 ≤ Y ≤ 1500		
Insatllation position	vertical		
Protection as per DIN VDE 0470	IP54		
Allowable temperature on plug	100° C		



- Baumuster geprüft
- EG Baumuster geprüft
- Fertigung überwacht





The component mark is only valid:

- For standpipes: if shutoff valves have been installed between connection flanges and boiler nozzles. A drain valve is also required
- For nozzels: if boiler nozzle corresponds to the construction according to data sheet D-08-D-16351-0.
- Protection tube K, flanges, screws, nuts and sealings can be delivered too.
- For probe installation see data sheet D-08-D-16352-0

