

Thermostatic capsule steam traps type KI24/KI25

Application and function

The thermostatic capsule steam traps are generally used to drain pipelines, steam distributors as well as smaller heat consumers or as exhauster. These steam traps immediately adapt to the changing operating conditions and drain the condensate with continuous undercooling. The valve closes due to the evaporation of the liquid in the capsule.

Technical basic equipment

- Process connection internal thread
- Steam trap with evaporation thermostat as regulator
- High operating sensitivity
- Exzellent drainage and exhaust characteristics in the entire working area
- Resistant against water hammer and superheated steam
- High expectancy and reliability
- Undercooling: 12K

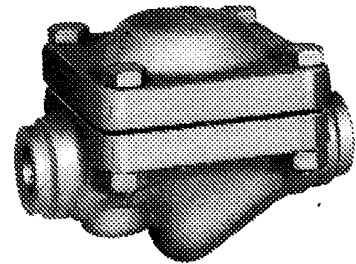
Available (optional) versions

- Undercooling: 6K, 25K

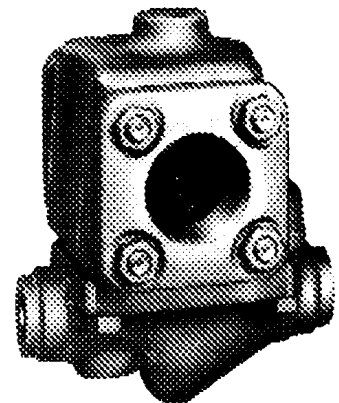
Technical data

Type		KI24	KI25
Nominal diameter	DN	G ½, G ¾	
All. pressure	PS [bar]	22	
All. temperature	TS [° C]	300 (DIN 2401)	
Dimension	[mm]	DIN EN 26554 R1	
Connection		Female thread G ½, G ¾	
Equipment	KF24	Backflow preventer, strainer	
	KF25	Backflow preventer, strainer, sight glasses	
Material	Housing	C22.8 (1.0460)	
	Cap	C22.8 (1.0460)	
	Inner parts	Corrosion and acid resistant CrNi-steel	
	Capsule	X 5 CrNi 18 10 (1.4301)	

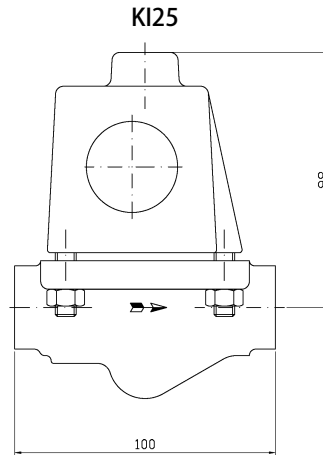
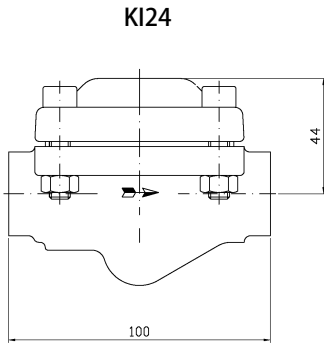
KI24



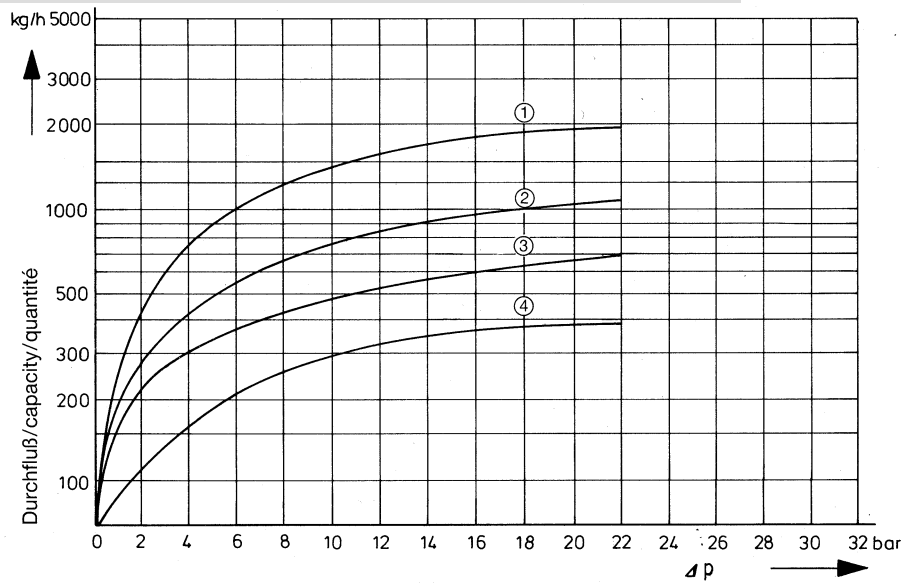
KI25



Dimension



Capacity



- Curve 1: Cold water capacity „hD” [seat version for high capacity (Standard)]
- Curve 2: Cold water capacity „nD” [seat version for low capacity]
- Curve 3: Hot water capacity „hD” [seat version for high capacity (Standard)]
- Curve 4: Hot water capacity „nD” [seat version for low capacity]

Type	Article no.	DN	PS [bar]	Spare parts		
				Sight glasses with sealings		
				Article no.		
KI24	K12-13-A4	G ½	22	---	15-02768	15-02769
	K12-13-A5	G ¾				
KI25	K-12-13-B4	G ½		15-02767	15-02768	15-02769
	K-12-13-B5	G ¾				

