

## Shutoff valves type HA300, HA310, HA320

for remote water level gauge

### Application and function

The area of application comprises the entire product range of remote level gauges. The shutoff valves connect the remote level gauge with boiler drum or container.

Type HA 300 is a lower main shutoff valve, type HA 310 is an upper main shutoff valve with condenser welded on the left side, type HA 320 is an upper main shutoff valve with condenser welded on the right side.

### Technical basic equipment

- Body material carbon steel as per DIN or ASME
- Innerpart of valves stainless steel
- Handwheel aluminium
- Process connection flange
- Welding end:  $\varnothing 21,3 \times 3,6$  mm
- Drain connection:  $\varnothing 18 \times 3$  mm
- Version with backseat to release gland packing

### Available (optional) versions

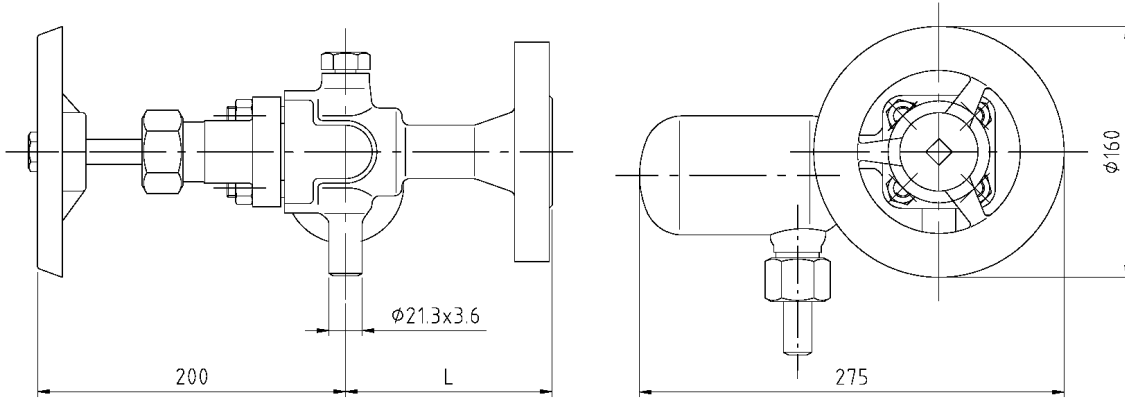
- Other process connection as per DIN or ANSI, welding end or socket welding

### Technical data

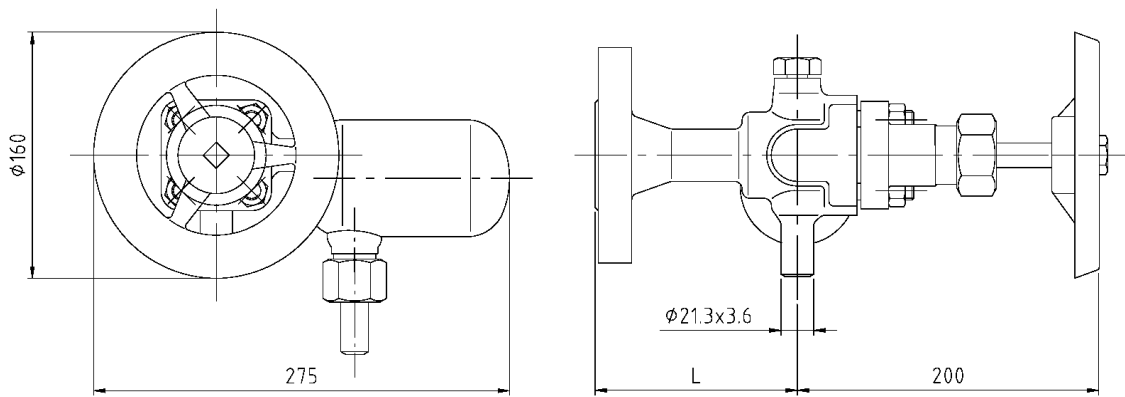
Allowable pressure	PS	[bar]	32	50	80	100	160	200
Allowable temperature	TS	[° C]	239	265	296	312	347	367



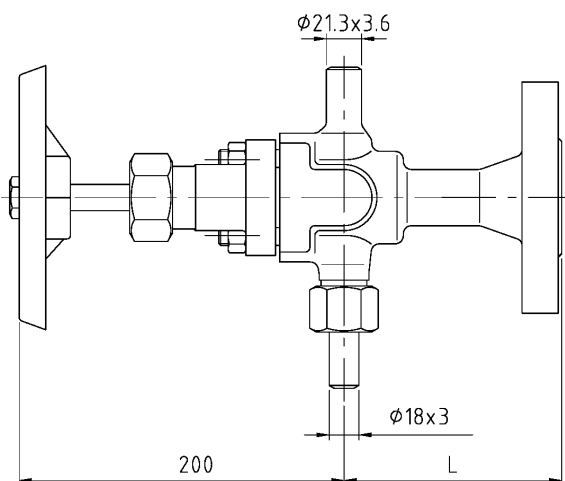
**HA310**



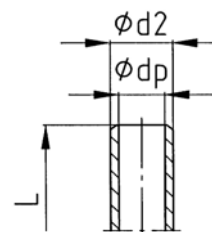
**HA320**



**HA300**



**Weldin end**



**Socket Welding**

