

Thermostatic bimetal steam trap type BM71/BM73

Application and function

The thermostatic bimetal steam traps are generally used to drain unregulated heating processes, specially for use at small consumers.

The bending of the bimetal changes by temperature differences. Thus the valve is opened and closed

Technical basic equipment

- Steam trap with bimetal column
- Steam trap with strainer and sight glass
- Exzellent drainage and exhaust characteristics in the entire working area
- Resitant against water shocks and superheated steam
- High expectancy and reliability
- Undercooling rate: 10K

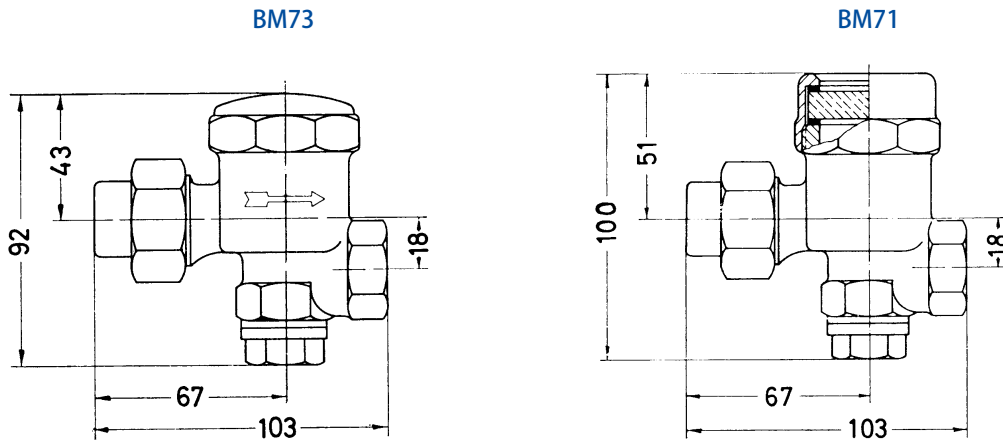
Technical data

Type		BM71	BM73
All. pressure	PS [bar]	0-5	
All. temperature	TS [° C]	200 (DIN 2401)	
Dimension	[mm]	103	
Connection		Screw joint G ½ , 2 pipe sleeves for globe- or angle connection	
Version	BM71	Strainer, sight glass	
	BM73	Strainer	
Material	Housing	GK Cu Zn 40	
	Bimetal	Bimetal „RGR“ plated with stainless steel	

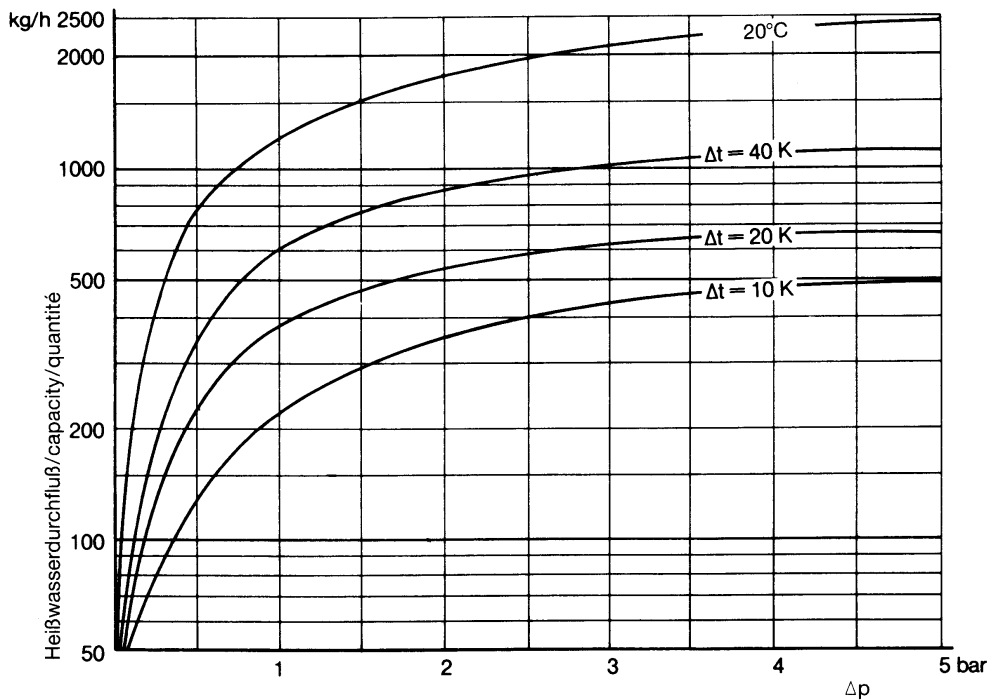
BM71



Dimensions



Capacity



Type	Article-no.	DN	PS [bar]	Spare parts	
				Bimetal column with sealing Article-no.	Sight glass with sealing Article-no.
BM71	K12-10-H1	G ½	0-5	15-02759	15-02765
BM73	K-12-10-H2	G ½		15-02760	---

