

Thermostatic bimetal steam traps type BF23/BF33

Application and function

The thermostatic bimetal steam traps are generally used to drain unregulated heating processes with high capacity. The bending of the bimetal changes by temperature differences. Thus the valve is opened and closed.

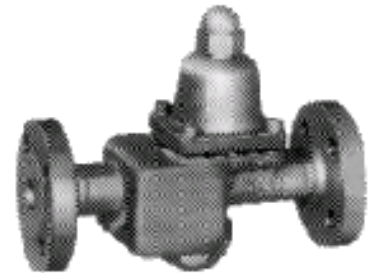
Technical basic equipment

- Steam traps with bimetal column for high capacity
- Steam traps with strainer and external adjusting device
- Excellent drainage and exhaust characteristics in the entire working area
- Resistant against water hammer and superheated steam
- High expectancy and reliability

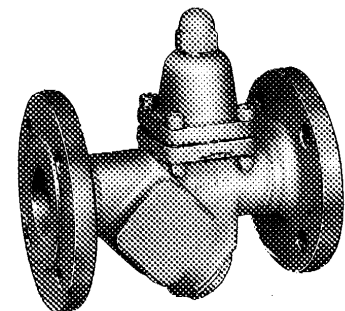
Technical data

Type		BF23	BF33
Nominal diameter	DN	15/20/25/50	
All. pressure	PS [bar]	0-22	0-32
All. pressure	TS [° C]	400 (DIN 2401)	250 (DIN 2401)
Dimension	[mm]	DIN EN 26554, DN25R3	
Connection		Flanges as per DIN 2635	
Housing		C22.8 (1.0460)	
Inner parts		Corrosion and acid resistant CrNi-steel	
Bimetal		Bimetal „RGR“ plated with stainless steel	

BF23

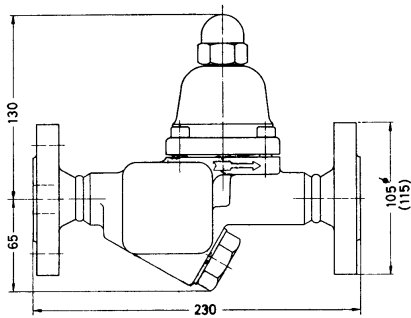


BF33

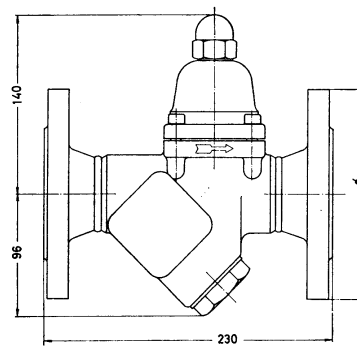


Dimensions

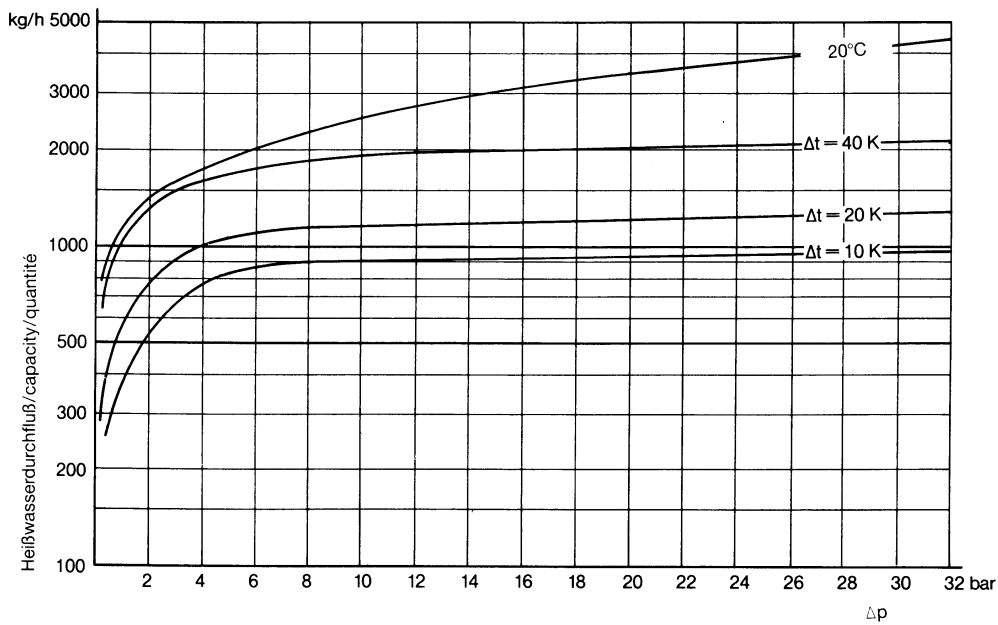
BF23



BF33



Capacity



Type	Article no.	DN	PS [bar]	Spare parts	
				Bimetal column with sealing	Article no.
BF23	K-12-10-D3	15	0-22	15-02756	
	K-12-10-D4	20			
	K-12-10-D1	25			
	K-12-10-D2	50			
BF33	K-12-10-F1	15	20-32	15-02761	
	K-12-10-F2	20			
	K-12-10-F3	25			
	K-12-10-F4	50			

