

Thermostatic bimetal steam traps type BF23/BF33

Application and function

The thermostatic bimetal steam traps are generally used to drain unregulated heating processes with high capacity. The bending of the bimetal changes by temperature differences. Thus the valve is opened and closed.

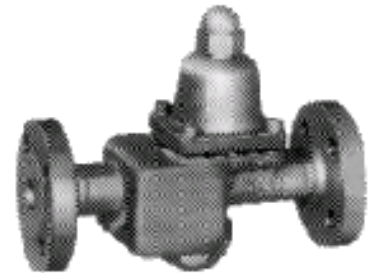
Technical basic equipment

- Steam traps with bimetal column for high capacity
- Steam traps with strainer and external adjusting device
- Excellent drainage and exhaust characteristics in the entire working area
- Resistant against water hammer and superheated steam
- High expectancy and reliability

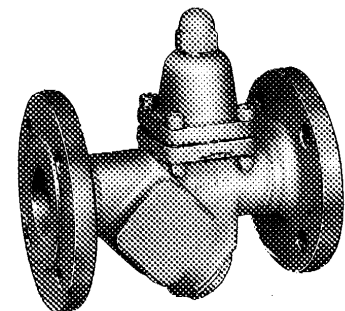
Technical data

| Type | | BF23 | BF33 |
|------------------|----------|---|----------------|
| Nominal diameter | DN | 15/20/25/50 | |
| All. pressure | PS [bar] | 0-22 | 0-32 |
| All. pressure | TS [° C] | 400 (DIN 2401) | 250 (DIN 2401) |
| Dimension | [mm] | DIN EN 26554, DN25R3 | |
| Connection | | Flanges as per DIN 2635 | |
| Housing | | C22.8 (1.0460) | |
| Inner parts | | Corrosion and acid resistant CrNi-steel | |
| Bimetal | | Bimetal „RGR“ plated with stainless steel | |

BF23

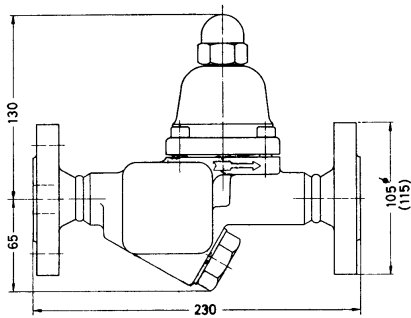


BF33

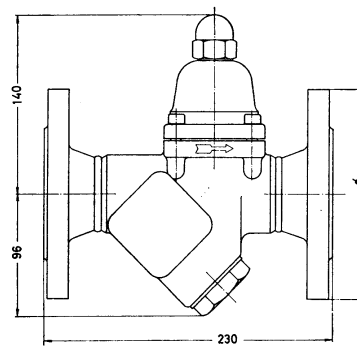


Dimensions

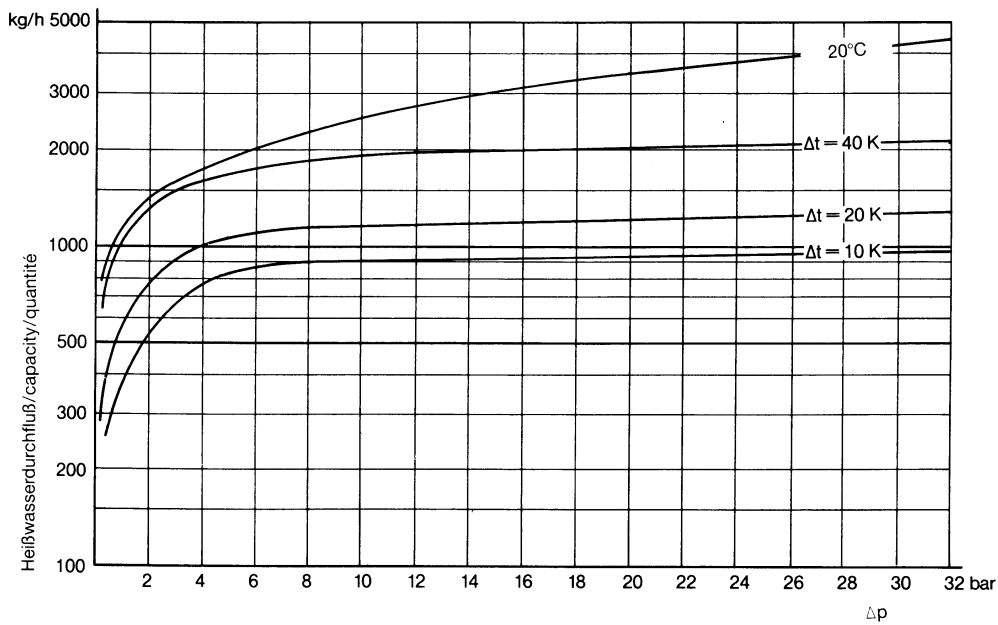
BF23



BF33



Capacity



| Type | Article no. | DN | PS [bar] | Spare parts | |
|------|-------------|----|----------|-----------------------------|-------------|
| | | | | Bimetal column with sealing | Article no. |
| BF23 | K-12-10-D3 | 15 | 0-22 | | 15-02756 |
| | K-12-10-D4 | 20 | | | |
| | K-12-10-D1 | 25 | | | |
| | K-12-10-D2 | 50 | | | |
| BF33 | K-12-10-F1 | 15 | 20-32 | | 15-02761 |
| | K-12-10-F2 | 20 | | | |
| | K-12-10-F3 | 25 | | | |
| | K-12-10-F4 | 50 | | | |

