

Shutoff valve type A150

Application and function

The area of application comprises the entire product range of transparent and bicolour level gauges. They are used to shut off the level gauge.

Technical basic equipment

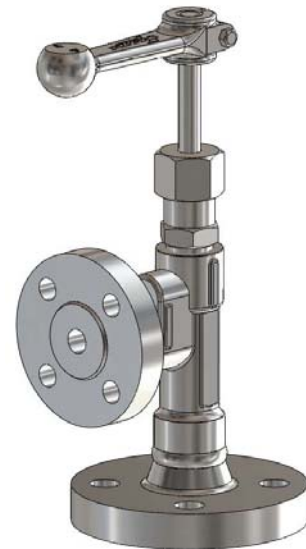
- Body material carbon steel, material as per DIN or ASME
- Inner parts of valve stainless steel
- Handlever Aluminium
- Process connection DN25 as per DIN
- Self-closing ball for automatic shutoff in case of glass or mica break
- Version with backseat to release gland packing

Available (optional) versions

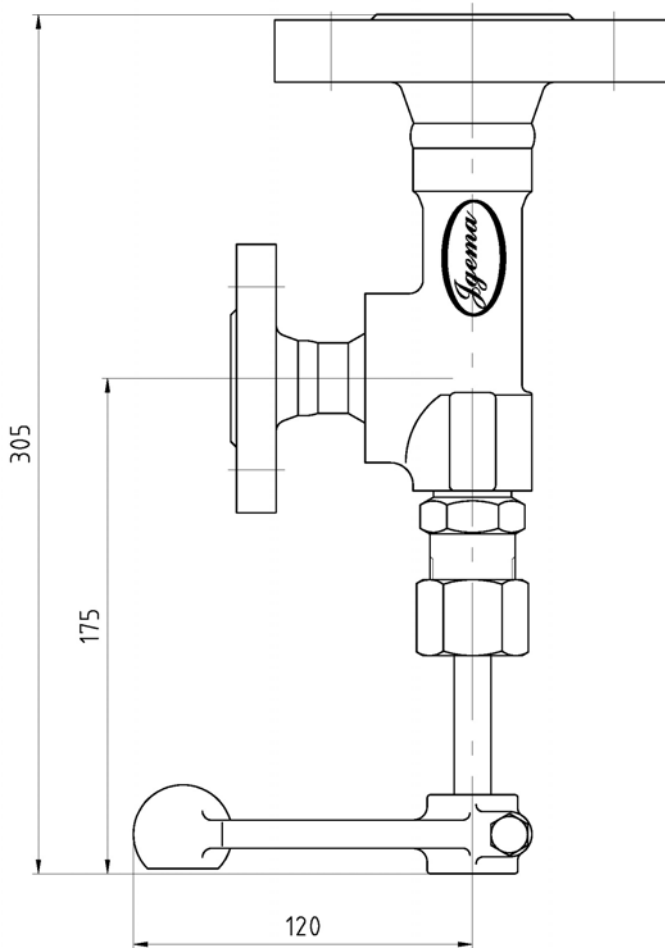
- Quick closing spindle
- Other process connections as per DIN or ASME, butt welding end and socket welding

Technical data

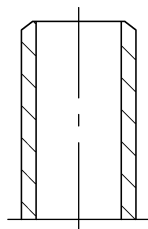
Allowable pressure	PS	[bar]	50	80
Allowable temperature	TS	[° C]	265	296



A150 with flange as per DIN

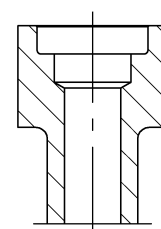


Welding end



Welding end DIN 3239
Butt welding end ASME B16.25

Socket Welding



Socket welding
SW ASME B16.11

