

## Shutoff valve type A120 / A130

### Application and function

The area of application comprises the entire product range of reflex, transparent and bicolour level gauges. They are used to shut off the level gauge.

### Technical basic equipment

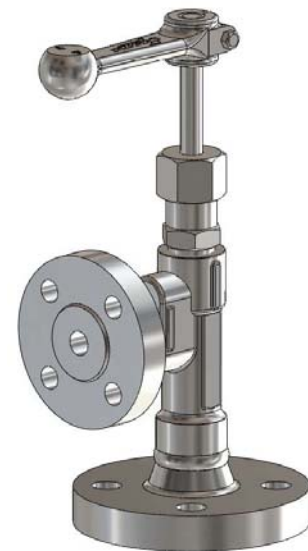
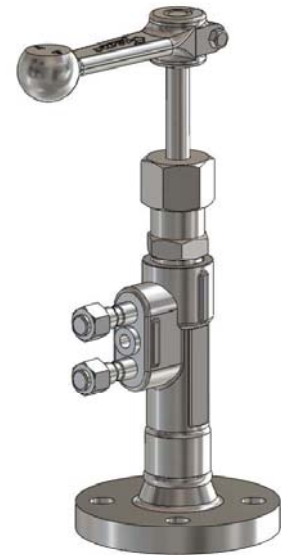
- Body material carbon steel, material as per DIN or ASME
- Inner parts of valve stainless steel
- Handlever Aluminium
- Process connection DN20 as per DIN
- Self-closing ball for automatic shutoff in case of glass or mica break
- Version with backseat to release gland packing

### Available (optional) versions

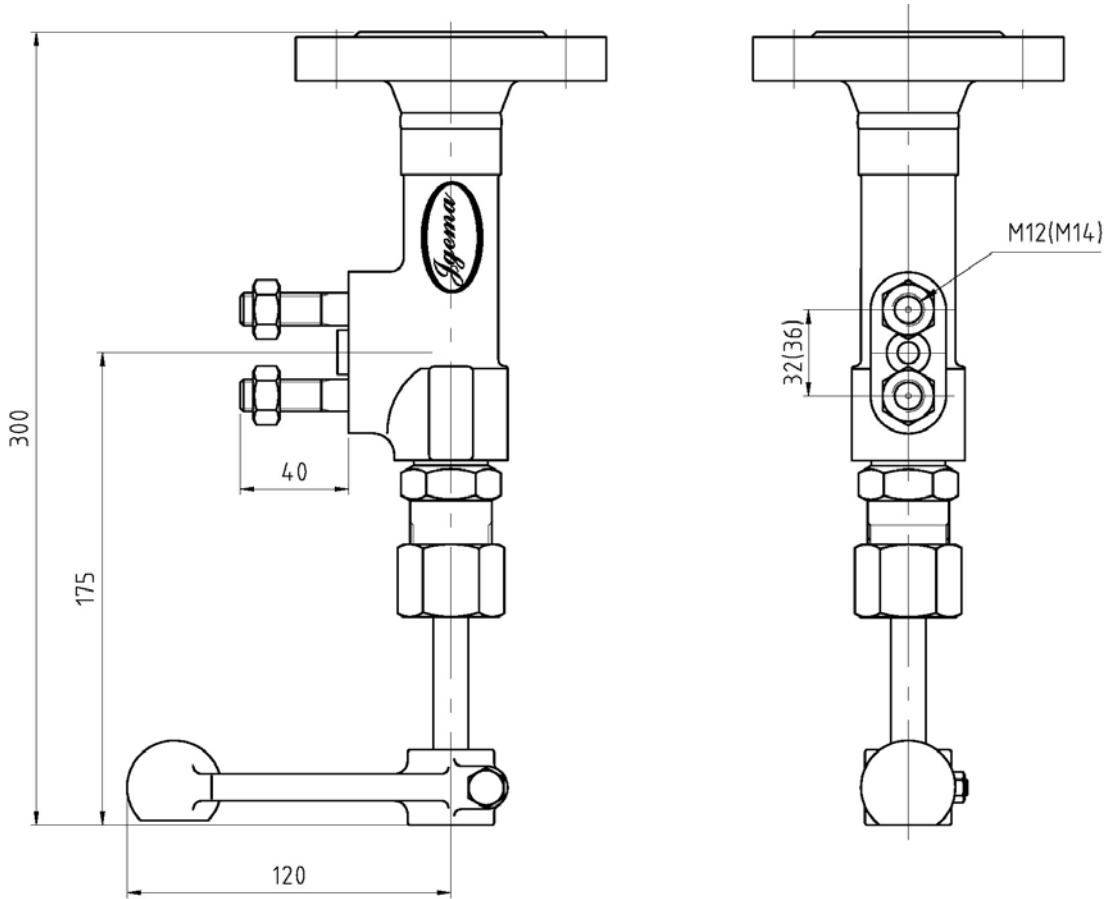
- Quick closing spindle
- Other process connections as per DIN or ASME, butt welding end and socket welding

### Technical data

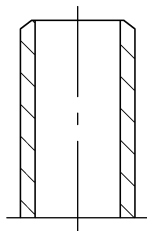
|                       |    |       |     |
|-----------------------|----|-------|-----|
| Allowable pressure    | PS | [bar] | 32  |
| Allowable temperature | TS | [° C] | 239 |



A120 with flange as per DIN

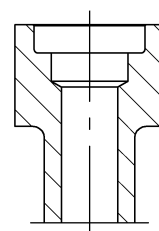


Welding end



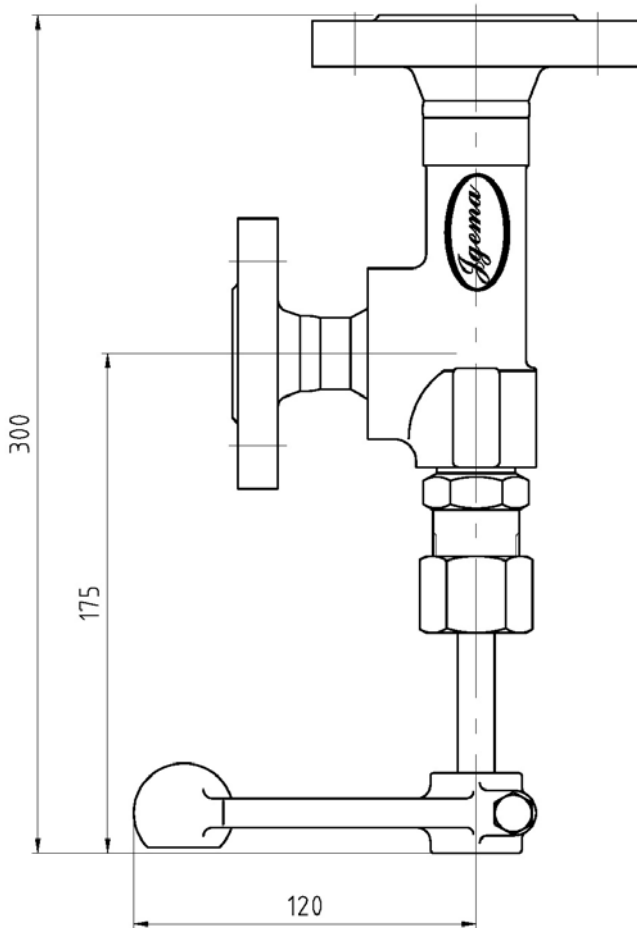
Welding end DIN 3239  
Butt welding end ASME B16.25

Socket Welding

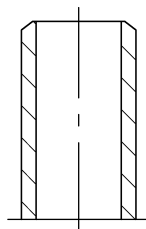


Socket welding  
SW ASME B16.11

A130 with flange as per DIN

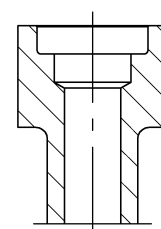


Welding end



Welding end DIN 3239  
Butt welding end ASME B16.25

Socket Welding



Socket welding  
SW ASME B16.11

