



Complete Solutions for Liquid Filtration

# Single Filter

## 20mm (3/4")-150mm (6") Model OV

Single Filters provide a cost-effective method of protecting pipeline equipment, cleaning liquids or salvaging valuable solids. Incorporated are a number of special features and optional extras. The filter is of cast construction and is supplied with one high quality stainless steel cylindrical basket. It is used in liquid handling installations where the flow can be shut off for short periods to allow the removal of the basket for cleaning.

### Main Features

- High quality 316 grade stainless steel basket with large filtration areas resulting in low pressure drops.
- Compact design for space saving.
- Working pressures up to 50 bar (A300 Series).
- Quick release filter covers and knobs for easy maintenance.

### Options

- Range of extras allowing filter to be customised.
- Available in cast iron, cast steel, bronze or stainless steel.
- Visual/Electrical differential pressure indicators are available.
- Magnetic columns (pre-magnetic filtration).

### Specification

MODEL	OV	OV/S	OV/GM	OV/SS	OVS SS A300 Series
Body Material	Cast Iron BS EN1561/EN-JL 1030	Cast steel BS EN10213-2/1.0625	Gunmetal BS 1400 GRD LG4C	Stainless Steel BS 1504 316 C16	Cast steel BS 10213-2/1.0625 Stainless steel BS 1504 316 C16
Cover Material	Cast Iron BS EN1561/EN-JL 1030	Cast steel BS EN10213-2/1.0625	Bronze BS1400 GRD LG4C	Stainless Steel BS 1504 316 C16	Cast steel BS EN 10213-2/1.0625 Stainless steel BS 1504 316 C16
Maximum working pressure	17 bar at 50°C	22 bar at 50°C	13.8 bar at 50°C	22 bar at 50°C	50 bar at 50°C
Baskets	Stainless Steel — Basket & Mesh Lining BS1449 Grade 316 S31				
Drain plug	Brass	Stainless Steel	Gunmetal	Stainless Steel	Steel Stainless Steel
Vent	Stainless Steel	Stainless Steel	Phosphor Bronze	Stainless Steel	Steel Stainless Steel
Standard seals	Nitrile (-35°C to +120°C)	Nitrile (-35°C to +120°C)	Nitrile (-35°C to +120°C)	Viton (-20°C to +200°C)	Viton (-20°C to +200°C)
Body colour	Blue	Silver	Self	Self	Silver/Self

#### Please Note

1 These specifications refer to standard products only. Other materials for bodies (e.g. monel, hastalloy) and seals (e.g. EP, PTFE) are available on request.

2 Higher pressure filters are available up to 50 bar.

3 Working pressure is stated at 50°C. To verify suitability of this equipment above this temperature or below 0°C, please contact our Technical Sales Team.

4 Whilst alternative seal materials e.g. EP, PTFE are available and can be used to offer a wide range of chemical compatibility and working temperatures up to 260°C, it is recommended that such applications are again discussed with our Technical Sales Team.



## Equivalent Material Specifications

	Cast Iron	Cast Steel	Gunmetal	Stainless Steel
European Standard	BS EN1561/EN-JL 1030	BS EN10213-2/1.0625	BS 1400 GRD LG4C	—
American Standard	ASTM A48/76 Class 35	ASTM A216 Grade WCB	—	ASTM A351 CR8M

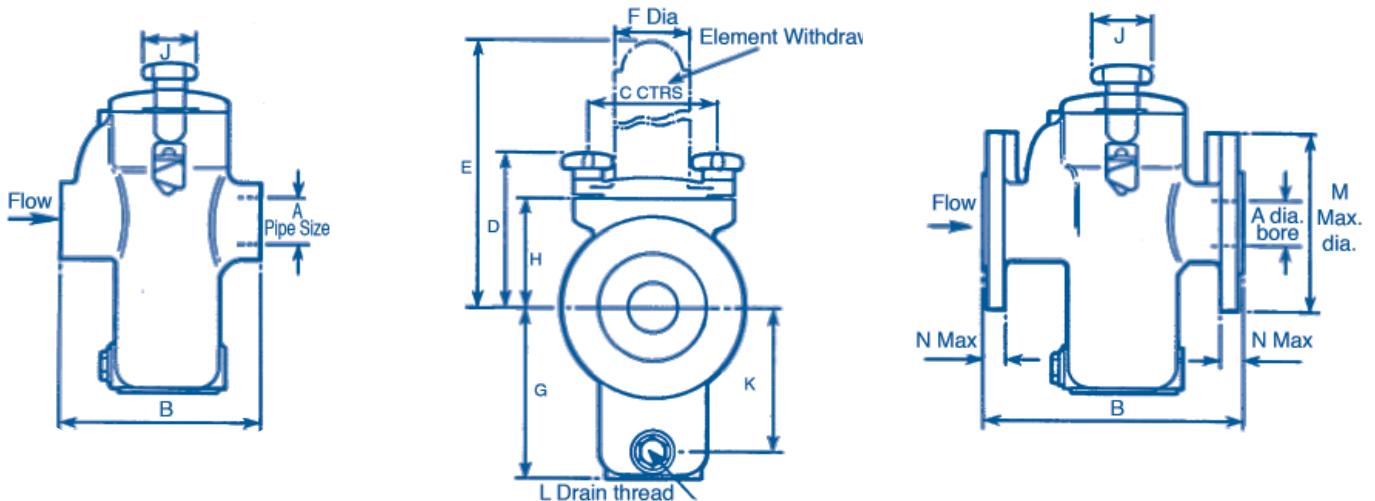
## Screwed BSP or NPT (sizes in mm)

Pipe Size A	B	C	D	E	F	G	H	J	K	L	Element Area	Weight (Cast Iron)
20 (3/4")	159	108	103	220	73	105	64	50	86	1/2" BSP	184cm <sup>2</sup>	5kg
25 (1")	159	108	103	220	73	105	64	50	86	1/2" BSP	184cm <sup>2</sup>	5kg
32 (1 1/4")	174	108	129	306	73	145	90	50	122	1/2" BSP	268cm <sup>2</sup>	7kg
40 (1 1/2")	174	108	129	306	73	145	90	50	122	1/2" BSP	268cm <sup>2</sup>	7kg
50 (2")	270	156	165	351	112	156	112	76	131	1/2" BSP	484cm <sup>2</sup>	19kg
65 (2 1/2")	270	156	165	351	112	156	112	76	131	1/2" BSP	484cm <sup>2</sup>	19kg

## Flanged BS10, BS4504, ANSI or DIN (sizes in mm)

A	B	C	D	E	F	G	H	J	K	L	M*	N*	Element Area	Weight (Cast Iron)
25 (1")	194	108	103	220	73	105	64	50	86	1/2" BSP	124	16	184cm <sup>2</sup>	8kg
40 (1 1/2")	210	108	129	306	73	145	90	50	122	1/2" BSP	156	18	268cm <sup>2</sup>	12kg
50 (2")	310	156	165	351	112	156	112	76	131	1/2" BSP	165	20	484cm <sup>2</sup>	24kg
65 (2 1/2")	310	156	165	351	112	156	112	76	131	1/2" BSP	191	22	484cm <sup>2</sup>	25kg
80 (3")	343	175	198	451	132	210	140	76	186	1/2" BSP	210	22/24	718cm <sup>2</sup>	42kg
100 (4")	356	175	234	575	132	265	175	76	241	1/2" BSP	229/254	24	964cm <sup>2</sup>	45kg
150 (6")	480	—	296	728	160	361	218	—	330	1/2" BSP	318	26	1835cm <sup>2</sup>	107kg

\* Dimensions left of the oblique are for cast iron filters. Dimensions right of the oblique are for Steel, Stainless Steel and Bronze



# SPX®

## FLOW CONTROL

Your local contact:

**AVEMAR**  
měření a regulace

AVEMAR CZECH s.r.o., Žlabová cesta 179, 747 64 Budišovice, IČ: 28612663, DIČ: CZ28612663  
Provozovna: Lihovarská 10 (areál Hlavní Báňské Záchraně Stanice), 716 03 Ostrava – Radvanice, Česká republika  
Tel.: +420 596 232 996, +420 596 232 997, Fax: +420 596 232 998, E-mail: avemar@avemar.cz, Web: www.avemar.cz

SPX Flow Control  
Hambridge Road  
Newbury, Berkshire, RG14 5TR  
Phone: +44 (0) 1635 263915 Fax: +44 (0) 1635 36006  
E-mail: airpel@spx.com

For more information about our worldwide locations, approvals, certifications, and local representatives, please visit [www.spxpe.com](http://www.spxpe.com).

SPX reserves the right to incorporate our latest design and material changes without notice or obligation. Design features, materials of construction and dimensional data, as described in this bulletin, are provided for your information only and should not be relied upon unless confirmed in writing. Certified drawings are available upon request.